

HOBART701 S Ridge Avenue, Troy, OH 45374
1-888-4HOBART • www.hobartcorp.com**SR24
DISHMACHINE****HOBART****STANDARD FEATURES**

- SR24H - 19 racks per hour;
SR24C - 14 racks per hour
- Hot water or chemical sanitizing
- 70°F rise booster heater on SR24H
- 16 gauge stainless steel tank bottom with 18 gauge stainless steel base, chamber and door
- Pumped final rinse
- Stainless steel lower front panel
- SR24H - 2.8 gallons per rack
SR24C - 2.4 gallons per rack
- Cord and plug (SR24C model)
- Revolving upper and lower anti-clogging wash/rinse arms
- Removable stainless steel scrap screen
- Automatic fill with flow regulator on fill line
- Corrosion resistant pump
- Flexible fill and drain hoses supplied
- Automatic pumped drain
- 16 $\frac{5}{8}$ " high door opening
- Two dishracks – one peg and one combination

STANDARD VOLTAGES

- 120/60/1 (SR24C model only)
- 120/208(3W)/60/1 (SR24H model only)
- 120/240(3W)/60/1 (SR24H model only)

**OPTIONS AND ACCESSORIES
AT EXTRA COST**

- Detergent pump
- Rinse agent pump (field installed)
- Stainless steel top and side panels
- Stainless steel base with 6" legs
- 17" stainless steel stand
- Pressure regulator valve

MODELS

- SR24H – High Temperature Sanitizing
- SR24C – Chemical Sanitizing

Specifications, Details and Dimensions on Inside and Back.



Model SR24H
Built in Booster 180°F Rinse
(Shown with optional side and top panels)

SR24 DISHMACHINE

SR24 DISHMACHINE



701 S Ridge Avenue, Troy, OH 45374
1-888-4HOBART • www.hobartcorp.com

DETAILS AND DIMENSIONS

WARNING :

REQUIRED FLOWING WATER PRESSURE TO THE DISHWASHER IS TO BE 20 PSI. IF FLOW PRESSURE IS BELOW 25 PSI, REMOVE THE FLOW REGULATOR AND REPLACE IT WITH A PIPE COUPLING (NOT SUPPLIED), OR THE SUPPLY LINE PRESSURE MUST BE INCREASED.

IF FLOW PRESSURE IS BETWEEN 25 AND 30 PSI, USE THE FACTORY SUPPLIED FLOW REGULATOR. IF FLOW PRESSURE IS ABOVE 30 PSI, A PRESSURE REDUCING VALVE (NOT SUPPLIED) MUST BE INSTALLED IN THE LINE.

ELECTRICAL AND GROUNDING CONNECTIONS MUST COMPLY WITH THE APPLICABLE PORTIONS OF THE NATIONAL ELECTRICAL CODE AND/OR OTHER LOCAL ELECTRICAL CODES.

PLUMBING CONNECTIONS MUST COMPLY WITH THE APPLICABLE SANITARY, SAFETY AND PLUMBING CODES.

SR24C:

USE ONLY 5.25% OR 8.4% SODIUM HYPOCHLORITE (LIQUID BLEACH) AS SANITIZING CHEMICAL TO ENSURE PROPER OPERATION OF DISHWASHER.

DO NOT PRE-MIX WETTING AGENT AND SODIUM HYPOCHLORITE (LIQUID BLEACH).

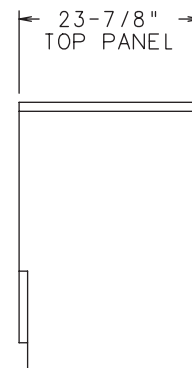
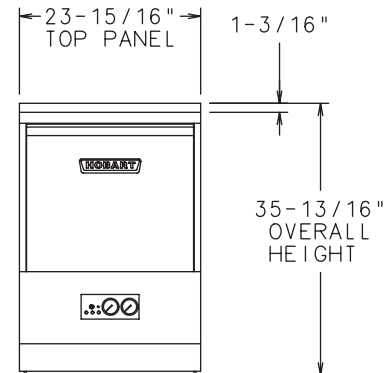
CERTAIN METALS INCLUDING SILVER PLATE, ALUMINUM, AND PEWTER ARE ATTACKED BY SODIUM HYPOCHLORITE (LIQUID BLEACH). SEE INSTRUCTION MANUAL.

DIMENSIONS WITH TOP & SIDE PANELS

NOTES: 1. ALL DIMENSIONS TAKEN FROM FLOOR MAY BE INCREASED OR DECREASED BY 1/2" WITH FOOT ADJUSTMENT.

SR24C:

- IMPORTANT: THE SODIUM HYPOCHLORITE (LIQUID BLEACH) CONTAINER SHOULD BE PLACED ON FLOOR.
- IF SODIUM HYPOCHLORITE (LIQUID BLEACH) CONTAINER IS TO BE PLACED IN CABINET ADJACENT TO MACHINE, A 1/2" DIA. HOLE IS REQUIRED IN THE CABINET TO RUN BLEACH SUPPLY LINE.



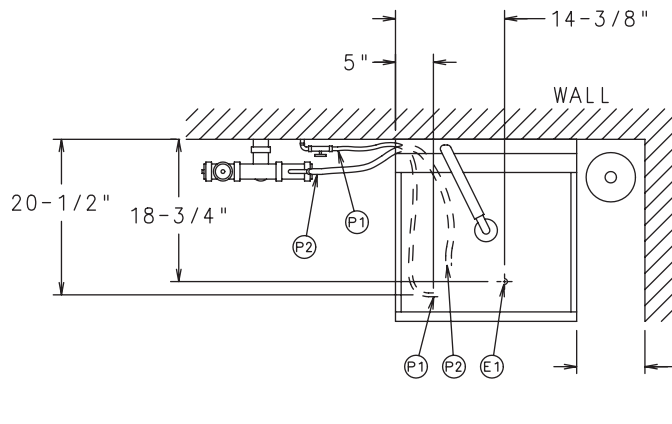
- LEGEND:
- (P1) SINGLE FILL AND RINSE PIPE CONNECTION: 3/4" FEMALE GARDEN HOSE FITTING ON 6' LONG HOSE SUPPLIED. SUPPLY WATER TEMPERATURE MUST BE A MIN. 120°F FOR SR24C
110°F FOR SR24H
 - (P2) DRAIN CONNECTION: 3/4" MPT FITTING WITH 10' HOSE SUPPLIED.
 - (E1) ELECTRICAL CONNECTION: SR24C: CORD AND PLUG SUPPLIED. SR24H: 3/4" ELECTRICAL CONNECTOR (1-1/8" DIA. HOLE) TO BE LOCATED 4" ABOVE FINISHED FLOOR.



701 S Ridge Avenue, Troy, OH 45374
1-888-4HOBART • www.hobartcorp.com

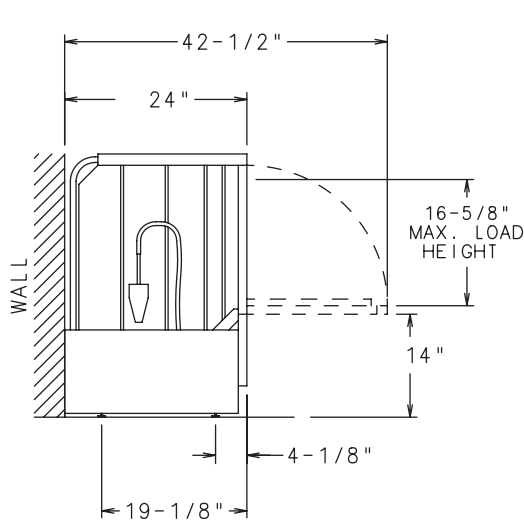
SR24 DISHMACHINE

| MODEL | RATED AMPS | MINIMUM SUPPLY CIRCUIT CONDUCTOR AMPACITY | MAXIMUM TIME DELAY FUSE | SPECIFICATIONS |
|-------|------------|---|-------------------------|-------------------|
| SR24C | 9.0 | 15 | 15 | 120/60/1 |
| SR24H | 37.6 | 50 | 50 | *120/208(3W)/60/1 |
| SR24H | 37.6 | 50 | 50 | *120/240(3W)/60/1 |

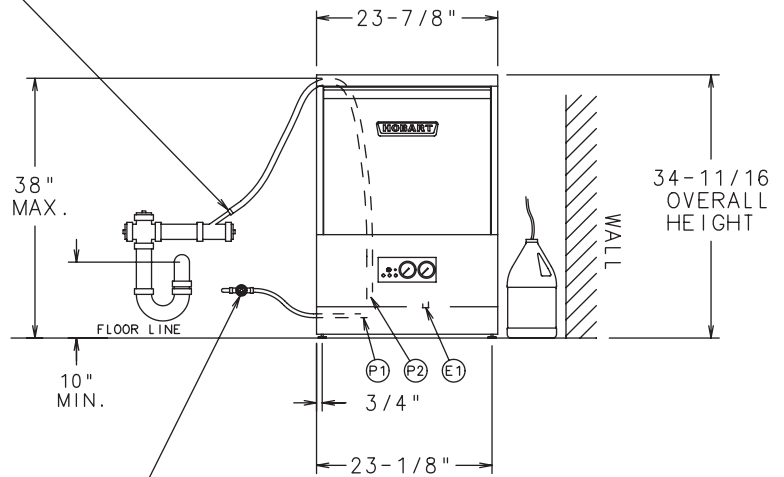


*THESE ARE 3 WIRE SYSTEMS THAT REQUIRE (3) #8AWG COPPER WIRES (90°C) INCLUDING A CURRENT CARRYING NEUTRAL. IN ADDITION, A FOURTH WIRE MUST BE PROVIDED FOR MACHINE GROUND. DO NOT CONNECT THESE MACHINES TO A 120 VAC CIRCUIT.

| DISHWASHER WEIGHTS - lbs. | | |
|---------------------------|-----------------|------------|
| MODEL | SHIPPING WEIGHT | NET WEIGHT |
| SR24C | 155 | 135 |
| SR24H | 166 | 146 |



RECOMMENDED ROUGH-IN DRAIN LOCATION. 1-1/2" TRADE SIZE PIPE MIN. REDUCED DOWN TO 3/4" FPT CONNECTION (BY CUSTOMER).



RECOMMENDED WATER SERVICE ROUGH-IN. 1/2" TRADE SIZE PIPE MIN. W/SHUTOFF VALVE, AND 3/4" MALE GARDEN HOSE FITTING (BY CUSTOMER).

INSTALLATION REQUIREMENTS AND INSTRUCTIONS

1. A single fill and rinse pipe connection is required. 6' flex hose supplied.
2. The electrical connection location for a 3/4" electrical connector (1 1/8" diameter hole) is provided for the SR24H model only.
3. The required electrical cord and plug are supplied on the SR24C model only.
4. **Important:** The sodium hypochlorite container should be placed on the floor (SR24C model only).
5. If the sodium hypochlorite container is to be placed in a cabinet adjacent to the machine, a 1/2" diameter hole is required in the cabinet to run the bleach supply line through.
6. Pumped drain 3/4" MPT fitting 10' hose supplied.
7. A supply line strainer is required. (By others)
8. A flow regulator is supplied. If water flowing pressure is under 25 psi, remove the regulator. If water flowing pressure is over 30 psi, install a PRV (not supplied).

SR24 DISHMACHINE



701 S Ridge Avenue, Troy, OH 45374
1-888-4HOBART • www.hobartcorp.com

SPECIFICATIONS

DESIGN: Front opening, equipped with stainless steel front. **Freestanding Models** – Top and side panels are optional. **Undercounter Models** – Not equipped with side or top panels. Adjustable feet lower overall height to 34" minimum and raise it to 35½" maximum.

CONSTRUCTION: 16 gauge stainless steel tank bottom with 18 gauge stainless steel base, chamber and door.

PUMP: Centrifugal-type, integral with motor, vertically mounted. Pump capacity is 45 U.S. gallons per minute.

MOTOR: Built to Hobart specifications, ½ H.P., single phase, furnished for 120/60/1, 120/208(3W)/60/1 or 120/240(3W)/60/1 electrical specification. Factory sealed lubrication.

RACKING: Will accommodate most racks from 10" x 20" (half racks) to 20" x 20". Will also accept 16" x 18" cafeteria trays.

WASH AND RINSE CYCLE: Completely automatic, controlled by an electrically energized synchronous timer. Closing the door actuates the operating cycle. When the amber cycle light goes out, the operating cycle is complete (185 seconds for the SR24H models and 215 seconds for the SR24C model). The cycle may be interrupted at any time by opening the door. Cycle continues when the door is closed.

WASH: Revolving upper and lower hydrosweep wash arms with unrestricted openings provide thorough distribution of water and are easily removed for cleaning. Uses a single water fill connection.

RINSE AND SANITATION:

SR24H Model – Sanitation accomplished by means of a built-in 7 kW electric booster (with stainless steel tank) designed to raise the water to 180°F (based on incoming water temperature of 110°F).

SR24C Model – Low temperature/chemical sanitizing: Accomplished by filling the sump with 120°F fresh water and pumping it through revolving wash arms. The required amount of 5.25% sodium hypochlorite (liquid bleach) is dispensed into the final rinse water from a container to achieve a minimum 50 PPM sanitizing solution. Injection of the sodium hypochlorite is accurately accomplished by a Hobart sanitizing chemical pump. Sight tube and ball float indicator visually signify when the sanitizer solution is empty. The customer must supply sanitizer solution and container. NOTE: NSF minimum 120°F.

| MACHINE RATINGS | | SR24H | SR24C |
|---|-------------------------------------|----------------|---------------|
| Racks per Hour | | 19 | 14 |
| Dishes per Hour (average of 25 per rack) | | 475 | 350 |
| Glasses per Hour (average of 45 per rack) | | 855 | 630 |
| Overall Dimensions (width x depth x height) – inches | | 24 x 24 x 34½ | 24 x 24 x 34½ |
| Wash Motor – HP | | ½ | ½ |
| Tank Capacity – U.S. Gallons | | 1.8 | 1.8 |
| Pump Capacity – U.S. Gallons per minute – Weir Test | | 45 | 45 |
| 7 KW Electric Booster Heater | | Standard | N/A |
| Sanitizing Chemical Pump with Sight Tube and Ball Float Indicator | | N/A | Standard |
| Hot Water Consumption at 20 psi | Wash Cycle – U.S. Gallons per rack | 1.4 | 1.2 |
| | Rinse Cycle – U.S. Gallons per rack | 1.4 | 1.2 |
| | U.S. Gallons per hour | 53 | 34 |
| Hot Water Consumption at 25 psi | Wash Cycle – U.S. Gallons per rack | 1.7 | 1.3 |
| | Rinse Cycle – U.S. Gallons per rack | 1.7 | 1.3 |
| | U.S. Gallons per hour | 65 | 36 |
| Minimum Flow Rate – U.S. Gallons per minute | | 4.5 | 4.5 |
| Peak Rate of Drain Flow – U.S. Gallons per minute (Initial rate with full tank) | | 10 | 10 |
| Minimum Water Temperature – Wash Cycle – Rinse Cycle | | 150°F 180°F | 120°F |
| Shipping Weight Crated – Approximate lbs. | | 166 | 155 |
| Minimum Hot Water Supply Temperature | | 110°F | 120°F |
| Detergent Pump | | Optional | Optional |
| Rinse Aid Pump | | Accessory | Accessory |

As continued product improvement is a policy of Hobart, specifications are subject to change without notice.