



STAINLESS STEEL

# Fabricated Economy SINKS



Item #: \_\_\_\_\_ Qty #: \_\_\_\_\_  
 Model #: \_\_\_\_\_  
 Project #: \_\_\_\_\_

**FEATURES:**

- Backsplash has tile edge for ease of installation.
- Sink bowls are 3/4" covered corner and meet NSF requirements.
- Rolled Rim Edge for additional strength.
- Sink Bowls are 14" deep for greater capacity.

**NOTE: 15" x 15" bowls are 12" deep.**

**CONSTRUCTION:**

- All TIG welded.
- Welded areas blended to match adjacent surfaces and to a satin finish.
- Gussets welded to a die-embossed reinforced plate.

**MATERIAL:**

- 1 5/8" diameter stainless steel legs.
- Stainless steel legs with 1" adjustable stainless steel bullet feet.
- Entire unit is 16 gauge 304 stainless steel.
- Gussets - galvanized steel.

	MODEL #	BOWL SIZE	O.A. Length	# of Drbds.
ONE COMP	FC-1-1818	18x18	23"	0
	FC-1-1818-18RorL	18x18	38 1/2"	1
	FC-1-1818-18RL	18x18	54"	2
	FC-1-1818-24RorL	18x18	45"	1
	FC-1-1818-24RL	18x18	66"	2
	FC-1-2424	24x24	29"	0
TWO COMP	*FC-2-1515	15x15	35"	0
	FC-2-1818	18x18	41"	0
	FC-2-1818-18RL	18x18	72"	2
	FC-2-1818-24RL	18x18	84"	2
	FC-2-2424-18RorL	24x24	68 1/2"	1
	FC-2-2424-24RL	24x24	96"	2
THREE COMP	*FC-3-1515	15x15	50"	0
	*FC-3-1515-15RL	15x15	75"	2
	FC-3-1818	18x18	59"	0
	FC-3-1818-18RorL	18x18	75"	1
	FC-3-1818-18RL	18x18	90"	2
	FC-3-1818-24RL	18x18	102"	2
	FC-3-1824-18RL	18x24	90"	2
	FC-3-1824-24RL	18x24	102"	2
† FC-3-2424-24RL	24x24	120"	2	

\*2 Sets of Faucet Holes

\*15" x 15" Bowls are 12" Deep

ACCESSORIES	Model #	Qty
DRAINS		
FAUCETS		



**NEW YORK**  
 (800) 645-3166  
 Fax: (631) 242-6900

**GEORGIA**  
 (800) 832-1218  
 Fax: (770) 775-5625

**TEXAS**  
 (800) 527-0353  
 Fax: (972) 932-4795

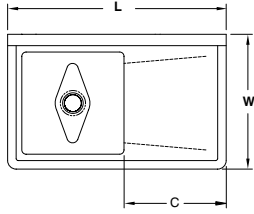
**NEVADA**  
 (800) 446-8684  
 Fax: (775) 972-1578

For Assistance with Smart Modifications & Accessories Call: **1-800-498-6634** Fax: 631-586-2933  
 smartfab@advancetabco.com

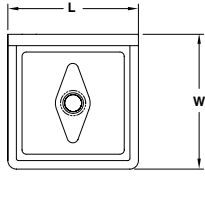
# DIMENSIONS and SPECIFICATIONS

TOL Overall: ± .500"  
Interior: ± .250"

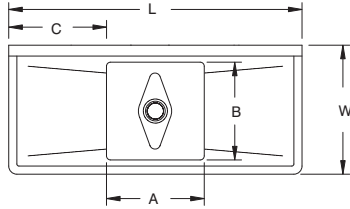
ALL DIMENSIONS ARE TYPICAL



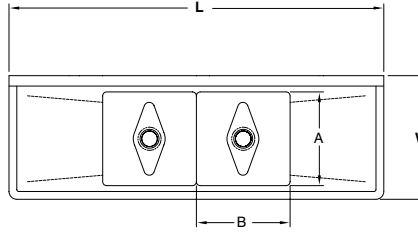
1 COMP - 1 DRBD



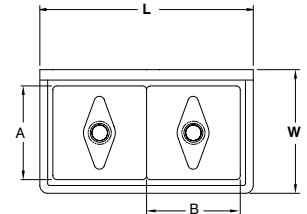
1 COMP



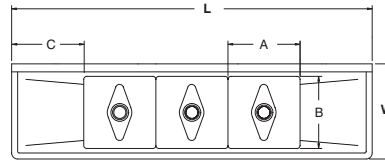
1 COMP - 2 DRBDs



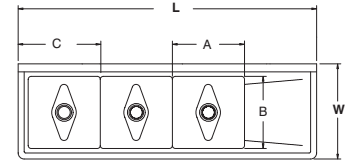
2 COMP - 2 DRBD



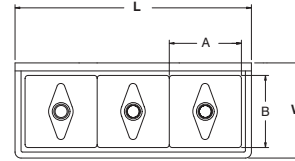
2 COMP



3 COMP - 2 DRBD



3 COMP - 1 DRBD



3 COMP

## MECHANICAL:

- Supply is 1/2" IPS hot & cold.
- Faucet holes on 8" centers.
- Faucets are not included (**see accessories**).
- Waste drains are 1 1/2" IPS S/S basket type, located in center of sink bowl, and are included.

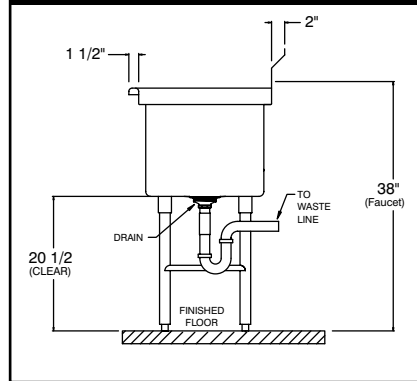


	MODEL #	Length L	Width W	Bowl Size A & B	Drbd. Length C	# of Drbrds.	Drbd. Location	Wt
ONE COMP	FC-1-1818	23"	24"	18x18	N/A	0	None	60 lbs.
	FC-1-1818-18RorL	38 1/2"	24"		18"	1	Specify	70 lbs.
	FC-1-1818-18RL	54"	24"		18"	2	Both	90 lbs.
	FC-1-1818-24RorL	45"	24"		24"	1	Specify	75 lbs.
	FC-1-1818-24RL	66"	24"		24"	2	Both	100 lbs.
	FC-1-2424	29"	30"	24x24	N/A	0	None	90 lbs.
TWO COMP	*FC-2-1515	35"	21"	15x15	N/A	0	None	55 lbs.
	FC-2-1818	41"	24"	18x18	N/A	0	None	83 lbs.
	FC-2-1818-18RL	72"	24"		18"	2	Both	105 lbs.
	FC-2-1818-24RL	84"	24"		24"	2	Both	115 lbs.
	FC-2-2424-18RorL	68 1/2"	29 3/4"	24x24	18"	1	Specify	115 lbs.
FC-2-2424-24RL	96"	29 3/4"	24x24	24"	2	Both	115 lbs.	
THREE COMP	*FC-3-1515	50"	21"	18x18	N/A	0	None	110 lbs.
	*FC-3-1515-15RL	75"	21"		15"	2	Both	120 lbs.
	FC-3-1818	59"	24"	18x18	N/A	0	None	120 lbs.
	FC-3-1818-18RorL	75"	24"		18"	1	Specify	130 lbs.
	FC-3-1818-18RL	90"	24"		18"	2	Both	140 lbs.
	FC-3-1818-24RL	102"	24"	18x24	24"	2	Both	150 lbs.
	FC-3-1824-18RL	90"	30"		18"	2	Both	265 lbs.
	FC-3-1824-24RL	102"	30"		24"	2	Both	300 lbs.
†FC-3-2424-24RL	120"	30"	24x24		24"	2	Both	350 lbs.

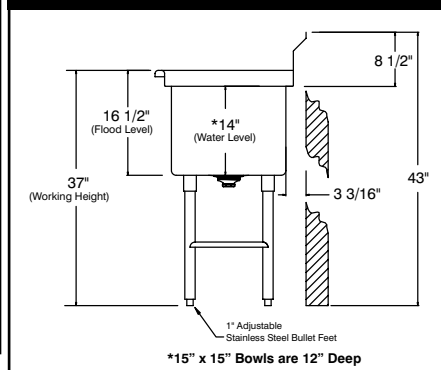
\*2 Sets of Faucet Holes

\*15" x 15" Bowls are 12" Deep

## PLUMBING ROUGH-IN



## SECTION



\*15" x 15" Bowls are 12" Deep

